



Service Guide

585-A 585-B
585-C 585-D
585-E 585-F

Cordless Grease Gun

Español	Página 11
Français	Page 21
Deutsch	Seite 31
Italiano	Pagina 41

Description

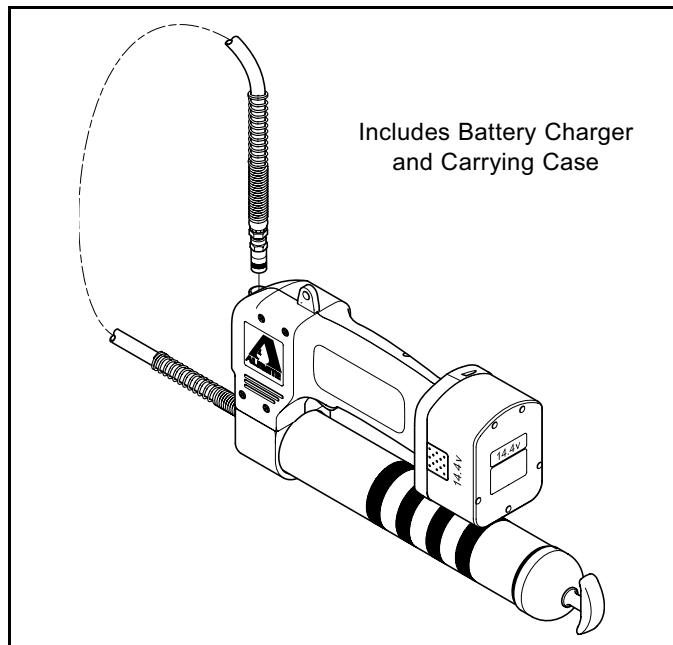
These model guns are designed to dispense petroleum-based greases (up to NLGI 2) for general lubrication applications. A 36-inch (0.91 meter) long high-pressure whip hose, heavy-duty grease coupler, 1-hour fast charger, and molded carrying case are included.

The guns use a 14.4 V motor with three stages of gear reduction. A crank and yoke mechanism drives a reciprocating piston pump. The motor is powered by a rechargeable 14.4 Volt / 1700 mAh battery pack.

Each model gun is designed for 3-way loading; cartridge, suction, and loader pump (requires optional loader fitting 322610). The guns are spring-primed and include an air bleed valve to aid priming.

Optional Accessories

Shoulder Strap	Tool Bag	Mobile Battery Charger (12 Vdc to 14.4 Vdc)	Loader Fitting
339812	340057	339998	322610



Gun Model	Battery Pack Quantity	Battery Pack Charger
585-A	1	120 Vac / 60 Hz (North / South America)
585-B	2	
585-C	1	230 Vac / 50 Hz (Europe / Middle East)
585-D	2	
585-E	1	230 Vac / 50 Hz (Great Britain / Africa / Hong Kong)
585-F	2	

Figure 1 Cordless Grease Gun Models 585-A - 585-F

Specifications

Maximum Pressure		Flow Rate at 1000 psi (69 bar)		Delivery Capacity when Fully Charged at 1000 psi (69 bar)		Grease Cylinder Capacity			Hose Assembly				Weight (Empty)	
						Bulk		Cartridge Size	Pressure Rating		Length			
psi	bar	Oz./Min.	Gms/Min.	Pounds	Kilograms	Ounces	Gms	Ounces	psi	bar	Inches	Meters	Lbs	Kg
10,000	690	5	142	8.8	4	16	454	14.5	10,000	690	36	0.91	7	3.2

Sound Pressure Level: 65.6 dB(A)
Sound Power Level: 76.6 dB(A)
Weighted Root Mean Square Acceleration Value: 0.5 m/s²

Alemite, LLC
167 Rowland Drive, Johnson City, Tennessee 37601
www.alemite.com

Copyright © 2005 by Alemite, LLC

This document contains confidential information that is the property of Alemite, LLC and is not to be copied, used, or disclosed to others without express written permission.

SER 585-A
Revision (5-08)

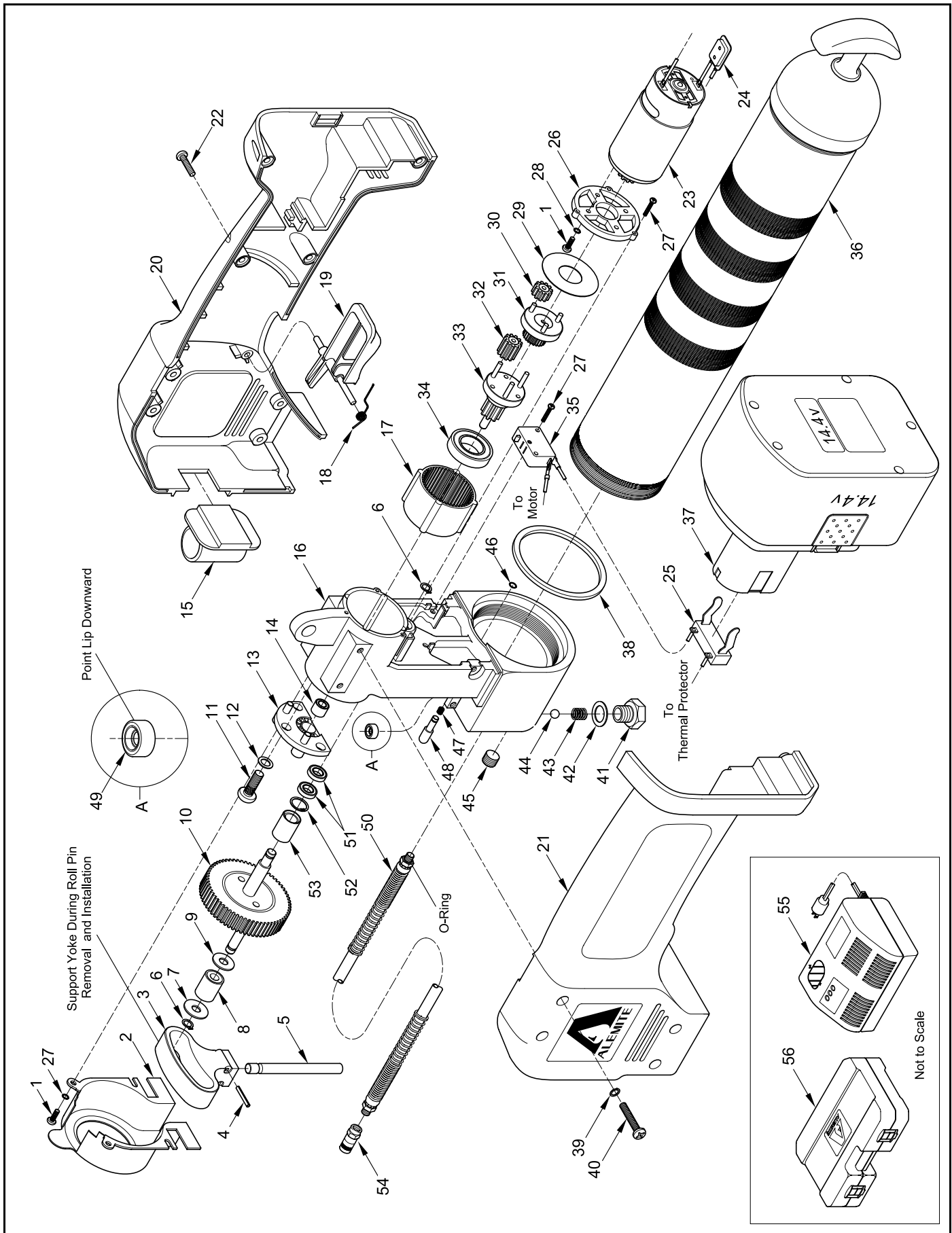


Figure 2 Cordless Grease Gun Models 585-A - 585-F - Exploded View

General Safety Rules



WARNING

Read all instructions: Failure to follow all instructions listed below may result in electric shock, fire and/or serious injury. The term "power tool" in all of the warnings listed below refers to your mains operated (corded) power tool or battery operated (cordless) power tool.
SAVE THESE INSTRUCTIONS.

Work Area

- Keep work area clean and well lit. Cluttered and dark areas invite accidents.
- Do not operate power tools in explosive atmospheres, such as in the presence of flammable liquids, gases or dust. Power tools create sparks which may ignite the dust or fumes.
- **Keep children and bystanders away while operating a power tool.** Distractions can cause you to lose control.

Electrical Safety

- Power tool plugs must match the outlet. Never modify the plug in any way. Do not use any adapter plugs with earthed (grounded) power tools. Unmodified plugs and matching outlets will reduce risk of electric shock.
- **Avoid body contact with earthed or grounded surfaces such as pipes, radiators, ranges and refrigerators.** There is an increased risk of electric shock if your body is earthed or grounded.
- **Do not expose power tools to rain or wet conditions.** Water entering a power tool will increase the risk of electric shock.
- Do not abuse the cord. Never use the cord for carrying, pulling or unplugging the power tool. Keep cord away from heat, oil, sharp edges or moving parts. Damaged or entangled cords increase the risk of electric shock.
- When operating a power tool outdoors, use an extension cord suitable for outdoor use. Use of a cord suitable for outdoor use reduces the risk of electric shock.

Personal Safety

- Stay alert, watch what you are doing and use common sense when operating a power tool. Do not use a power tool while you are tired or under the influence of drugs, alcohol or medication. A moment of inattention while operating power tools may result in serious personal injury.
 - Use safety equipment. Always wear eye protection. Safety equipment such as dust mask, non-skid safety shoes, hard hat, or hearing protection used for appropriate conditions will reduce personal injuries.
 - **Avoid accidental starting. Ensure the switch is in the off position before plugging in.** Carrying power tools with your finger on the switch or plugging in power tools that have the switch on invites accidents.
 - Remove any adjusting key or wrench before turning the power tool on. A wrench or a key left attached to a rotating part of the power tool may result in personal injury.
 - Do not overreach. Keep proper footing and balance at all times. This enables better control of the power tool in unexpected situations.
 - **Dress properly. Do not wear loose clothing or jewelry. Keep your hair, clothing and gloves away from moving parts.** Loose clothes, jewelry or long hair can be caught in moving parts.
 - If devices are provided for the connection of dust extraction and collection facilities, ensure these are connected and properly used. Use of these devices can reduce dust related hazards.
-

General Safety Rules (Continued)



WARNING

Read all instructions: Failure to follow all instructions listed below may result in electric shock, fire and/or serious injury. The term "power tool" in all of the warnings listed below refers to your mains operated (corded) power tool or battery operated (cordless) power tool.
SAVE THESE INSTRUCTIONS.

Power Tool Use and Care

- Do not force the power tool. Use the correct power tool for your application. The correct power tool will do the job better and safer at the rate for which it was designed.
- Do not use the power tool if the switch does not turn it on and off. Any power tool that can not be controlled with the switch is dangerous and must be repaired.
- Disconnect the plug from the power source before making any adjustments, changing accessories, or storing power tools. Such preventive safety measures reduce the risk of starting the power tool accidentally.
- Store idle power tools out of the reach of children and do not allow persons unfamiliar with the power tool or these instructions to operate the power tool. Power tools are dangerous in the hands of untrained users.
- **Maintain power tools. Check for misalignment or binding of moving parts, breakage of parts and any other condition that may affect the power tools operation. If damaged, have the power tool repaired before use.** Many accidents are caused by poorly maintained power tools.
- Keep cutting tools sharp and clean. Properly maintained cutting tools with sharp cutting edges are less likely to bind and are easier to control.
- Use the power tool, accessories and tool bits etc., in accordance with these instructions and in the manner intended for the particular type of power tool, taking into account the working conditions and the work to be performed. Use of the power tool for operations different from intended could result in a hazardous situation.

Battery Tool Use and Care

- Ensure the switch is in the off position before inserting battery pack. Inserting the battery pack into power tools that have the switch on invites accidents.
- Recharge only with the charger specified by the manufacturer. A charger that is suitable for one type of battery pack may create a risk of fire when used with another battery pack.
- **Use power tools only with specifically designated battery packs.** Use of any other battery packs may create a risk of injury and fire.
- When battery pack is not in use, keep it away from other metal objects like paper clips, coins, keys, nails, screws, or other small metal objects that can make a connection from one terminal to another. Shorting the battery terminals together may cause burns or a fire.
- Under abusive conditions, liquid may be ejected from the battery; avoid contact. If contact accidentally occurs, flush with water. If liquid contacts eyes, additionally seek medical help. Liquid ejected from the battery may cause irritation or burns.
- Disconnect battery pack from gun before changing accessories, storing gun or unscrewing grease cylinder from the gun.

Service

- Have your power tool serviced by a qualified repair person using only identical replacement parts. This will ensure that the safety of the power tool is maintained.
-

Specific Safety Rules



WARNING

The gun can develop high pressure up to 10,000 psi (690 bar). Rupture of components can inject grease into skin and eyes, causing serious injury and possible amputation. If injured, seek immediate medical attention.

Do not operate without proper safety protection, gloves, and goggles. Hold hose at spring guard only. Do not use if hose is damaged or worn. Inspect hose before each use. Use only Alemite 340067 Grease Whip Hose.

This gun uses lubricants, that may be flammable and poisonous if ingested. Do not use gun near open flame or other fire hazards. Read all warnings on lubricants before using this gun.

Use ear protection to reduce the risk of induced hearing loss.

Disconnect battery pack from gun before changing accessories or storing the gun.

Loading and Priming the Gun

NOTE: Refer to **Figure 2** for component identification on the following procedures.

Cartridge Loading

1. Unscrew Grease Cylinder (36) from the gun.
2. Pull the follower rod and engage the groove in the follower rod with the slot in the Grease Cylinder cap.
3. Remove the plastic cap from the cartridge.
4. Apply a film of grease to the exposed inside surface of the cartridge.

NOTE: This is only necessary for a virgin gun.

5. Insert the cartridge into the Grease Cylinder.
 - Remove the tabbed seal from the cartridge.
6. Screw the Grease Cylinder onto the gun.
7. Disengage the follower rod from the slot in the Grease Cylinder cap.
 - Push the follower rod into the Grease Cylinder.

Suction Loading

1. Unscrew Grease Cylinder (36) from gun.
2. Insert the head of the Grease Cylinder below the surface of the grease.
3. Slowly pull the follower rod outward from the Grease Cylinder cap until the groove is visible.
4. Engage the groove in the follower rod with the slot in the Grease Cylinder's cap.
5. Screw the Grease Cylinder onto the gun.
6. Disengage the follower rod from the slot in the Grease Cylinder cap.
 - Push the follower rod into the Grease Cylinder.

Loader Pump



WARNING

The gun can be equipped with an optional low-pressure Loader Fitting. Do not substitute with a high-pressure grease fitting. Personal injury can occur due to excessive pressure.

The use of a grease fitting will void the warranty.

CAUTION

The Loader Fitting on the gun must mate with the loader coupler. The pump may not operate if the components are not compatible.

1. Pull the follower rod and engage the follower by rotating the rod.
2. Seat the Loader Fitting into the loader coupler.
 - Push down to hold the coupler valve open.
3. Operate the pump and view the movement of the follower rod.
4. Discontinue pump operation once the groove on the follower rod is visible.
5. Disengage follower rod from follower and push into the Grease Cylinder.

Priming the Gun

In most cases the gun will prime simply by operating the Trigger several times.

Should grease fail to appear, air must be bled.

Force Prime

This process manually assists air within the gun to be bled at the Bleed Valve.

1. Pull the follower rod and engage the follower by rotating the rod.
2. Depress Bleed Valve (48) and at the same time push on the follower rod.

Once the air is eliminated, operate the gun several times.

Once grease appears, disengage the follower rod from the follower and push into the Grease Cylinder.

Gun Operation

Battery Pack (37) is intentionally shipped with a low charge.

Charge Battery Pack prior to use.

- Refer to the following section for details.

NOTE: The Battery Pack must be discharged and recharged several times before achieving a full charge.

CAUTION

Air pockets in the grease can cause the gun to lose prime. Check for prime after each refill and before lubrication.

The gun is equipped with a thermal protector to prevent the motor from overheating. When a blocked bearing, line, or grease fitting causes the gun to stall, the thermal protector will stop and restart the motor every 2 to 3 seconds. For maximum motor life, avoid operating at stall.

Check Valve Contamination

Should the gun fail, the outlet check may be held open. Remove Plug (41), clean Ball (44), and the Ball seat of Head (16).

Battery Pack and Charger Safety Rules

This manual contains important safety and operating instructions for Battery Pack part number 339804 and Battery Charger 339803.



WARNING

Before using the Battery Charger read all instructions and cautionary markings on Battery Charger (55), Battery Pack (37), and products using the Battery Pack.

To reduce the risk of injury, charge only Nickel-Cadmium type rechargeable batteries. Other types of batteries may burst causing injury.

An extension cord should not be used unless absolutely necessary. Use of an improper extension cord could result in a risk of fire and electric shock. If an extension cord must be used, make sure it is 16-gauge. Check to ensure that the pins on the plug of the extension cord are the same number, size, and shape as those of the plug on the Charger. Make sure that the extension cord is properly wired and in good electrical condition.

Do not incinerate the Battery Pack, even if it is severely damaged or completely worn out. The Battery Pack may explode in fire.

CAUTION

Do not expose the Charger to rain, snow, or frost.

To reduce the risk of damage to electric plug and cord, pull by the plug rather than the cord when disconnecting the Charger.

Make sure the cord is located so that it will not be stepped on, tripped over, or otherwise subjected to damage or stress.

Do not operate the Charger with damaged cord or plug. Replace immediately.

CAUTION

Do not operate the Charger if it has received a sharp blow, been dropped, or otherwise damaged in any way.

Do not disassemble the Charger.

Do not charge the Battery Pack when the temperature is below 50° F (10° C) or above 95° F (35° C).

The Charger is designed to operate on standard household electrical power. Do not attempt to use it on any other voltage.

Consecutive charging may cause overheating. If you need to recharge the Battery Packs consecutively, wait for about 15 minutes to allow the Charger to cool.

Do not insert foreign material into the hole for the Battery Pack in the Charger stand.

Do not disassemble the Battery Pack.

Do not Store the gun and Battery Pack assembly in locations where the temperature may reach or exceed 104° F (40° C).

Do not short-circuit the Battery Pack.

Do not discharge the Battery Pack beyond normal use limits. Further discharging (such as placing a rubber band on the Trigger) can cause a deep discharge which may result in the polarity reversal of a cell rendering the Battery Pack useless.

Do not place the Charger in an area of extreme heat or cold. It works best at normal room temperature.

The Battery Pack contains rechargeable nickel-cadmium batteries. These batteries must be recycled or disposed of properly. Drop off expended Battery Pack at your local replacement battery retailer or your local recycling center.

Applicable fees for the collection and recycling of these batteries (in the United States) have been paid to the Rechargeable Battery Recycling Corporation. For further information call 1-800-822-8837.



Battery Charger Operation

Charge the Battery Pack only with the Charger provided.

Recharging Hot Battery Pack

When using the gun continuously, the Battery Pack will become hot. Allow the Battery Pack to cool for approximately 30 minutes before attempting to recharge.

When the Battery Pack becomes discharged and is hot, the green lamp on the Charger glows continuously. The green lamp indicates slow charging mode.

Recharging Normal Battery Pack

Position the Battery Pack into the Charger.

- Press down to ensure the Battery properly engages with the charger's contacts.

Normally, the yellow and green lamps on the Charger will illuminate. This indicates the Charger is in control mode and should switch to fast mode within 5 minutes. When the Charger is in fast charge mode the red lamp illuminates.

If after a period of 15 minutes the yellow and green lamps remain on, remove the Battery Pack, wait 1 minute and re-insert the Battery Pack into the Charger. If the yellow and green lamps continue to remain on an additional 15 minutes, the Battery Pack is damaged and will not accept charge.

When the Battery Pack becomes fully charged, the red lamp turns off and the green lamp turns on.

After normal usage, 1 hour of charge time is required to be fully charged. A minimum charge time of 1 to 1-1/2 hours is required to recharge a completely discharged Battery Pack.

The Battery Pack will become slightly warm to the touch while charging. This is normal and does not indicate a problem.

Alemite, LLC**Limited Warranty**

Alemite warrants its products to be free from defects in material and workmanship on the date of sale by Alemite, or its duly authorized distributor, to the original purchaser of said products. With the exception of any special, extended, or limited warranty published by Alemite, Alemite will, for a period of twelve (12) months from the date of sale, repair or replace any product determined by Alemite to be defective. This warranty applies only when the products are installed, operated and maintained in accordance with Alemite's written recommendations.

This warranty does not cover, and Alemite shall not be liable for general wear and tear, or any malfunction, damage or wear caused by the following:

Abuse, Faulty Installation, Misapplication, Corrosion, Inadequate or improper maintenance, Negligence, Accident, Tampering, Substitution of Non-Alemite component parts or Incompatibility of Alemite components with equipment, accessories or materials not supplied by Alemite, or the improper design, manufacture, installation or maintenance of same.

This warranty is conditioned upon the prepaid return of product claimed to be defective to Alemite. If the claimed defect is verified, Alemite will repair or replace free of charge any defective parts. The repaired or replacement parts will be returned to the original purchaser freight prepaid. If Alemite inspection fails to verify the claimed defect in material or workmanship, repairs or replacement will be made at the expense of the original purchaser.

This warranty is exclusive, and is in lieu of any other warranties, express or implied, including but not limited to warranty of merchantability or warranty of fitness for a particular purpose.

Alemite's sole obligation and buyer's sole remedy for any breach of warranty shall be as set forth above. The buyer agrees that no other remedy (including, but not limited to, incidental or consequential damages for lost profits, lost sales, injury to person or property, or any other incidental or consequential loss) shall be available. Any action for breach of warranty must be brought within two (2) years of the date of sale.

Alemite makes no warranty, and disclaims all implied warranties or merchantability and fitness, for a particular purpose in connection with accessories, equipment, materials or components sold but not manufactured by Alemite. The items sold, but not manufactured by Alemite are subject to the warranty, if any, of their manufacturer. Alemite will provide purchaser with reasonable assistance in making any claim for breach of these warranties. In no event will Alemite be liable for indirect, incidental, special or consequential damages resulting from Alemite supplying products hereunder, or the furnishing, performance, or use of any products or goods sold hereto, whether due to a breach of warranty, the negligence of Alemite, or otherwise.

To obtain warranty information please write to: Alemite, LLC, 1057 521 Corporate Center Drive, Suite 100, Fort Mill, SC 29715, Attention: Technical Service.

Changes Since Last Printing

Corrected item 5 on pg. 2, was identified as item 6

